



IP65 : Suitable for Wet Locations
 IK10 : Impact Resistant (Vandal Resistant)

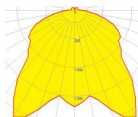
3F Linda Transparent LED

4" or 6" wide polycarbonate vapor tight

LINDA TRANSPARENT: For use in car-parks or environments where indirect ceiling and diffused direct lighting is required to supply uniform illumination.

MECHANICAL CHARACTERISTICS:

- **Transparent** housing in self-extinguishing injection molded UV stabilized Polycarbonate.
- **Diffuser:** Photo-embossed to diffuse LED spots
- **Gasket:** Molded one piece injected long life sealing foam gasket provides.
- **IP65:** Watertight seal.
- **Diffuser: Frosted Transparent** Self-extinguishing injection molded polycarbonate, UV stabilized, with smooth external surface and differentiated shot-blast prismatic internal surface.
- **Gear-tray reflector unit:** reduced width for a greater indirect distribution, in hot galvanized steel, painted in white polyester, fixed to the housing by means of snap-lock devices in steel. Hinged opening for simple maintenance and installation.
- **Snug fit snap-lock clips,** Single action clips in stainless steel or polycarbonate (standard), for diffuser's mounting, vandal-resistant opening.



WET LOCATION

Technical Data

Diffuser	Clear Polycarbonate
Body	Clear Polycarbonate
Ceiling/Diffuser Clips	Stainless Steel
Length (approx.)	26", 50" & 62"
Driver	120-277V 50-60Hz (0-10V dimming control)
Dimming range	1% -100%
LED Watts	12W, 24W, 30W
LED rows per fixture	1 (4" wide), 2 (6" wide)
LED Color	3000K, 4000K
CRI	> 80
Life Rating (50,000 hrs)	L85/B10
Warranty	5 years

Installation:

Linda offers **quick** and **safe** installation with various types of fixings. The Luminaries are supplied with two types of mounting devices, included: Ceiling & Suspended

Ceiling:

Provided with Pair of metal brackets supplied for quick installation.

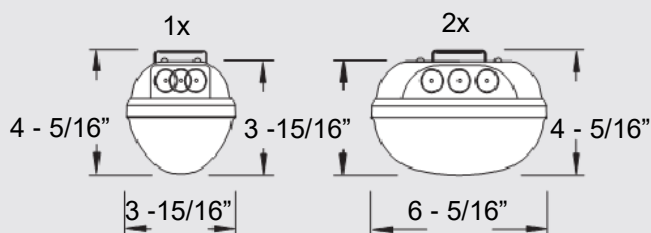


Suspended:

Hook or chain mounting. Provided with a Pair of steel springs supplied for quick install



Dimensions



On Centers

12W = 16 9/16"
 24W = 36 3/16"
 30W = 45 1/4"

12W = 26"
 24W = 50"
 30W = 61 13/16"
Fixture Length

ORDERING DETAILS:

	ORDERING NUMBER	NOMINAL LENGTH	OUTPUT LUMENS	SYSTEM WATTS	OPTIONS
3F LINDA TRANSPARENT 1x12 LED	SLS-LTR-1x12-LED-xx	2'	1909	20	EBP-Emergency Battery Pack (Consult Factory) SCL-Stainless steel Clips xxK— Lamped with Kelvin xSOy - SO cord, x= length feet. Y = Black, White
3F LINDA TRANSPARENT 1x24 LED	SLS-LTR-1x24-LED-xx	4'	3823	30	
3F LINDA TRANSPARENT 2x24 LED	SLS-LTR-2x24-LED-xx	4'	7473	59	
3F LINDA TRANSPARENT 1x30 LED	SLS-LTR-1x30-LED-xx	5'	4925	38	
3F LINDA TRANSPARENT 2x30 LED	SLS-LTR-2x30-LED-xx	5'	9628	75	



3F Linda Transparent LED

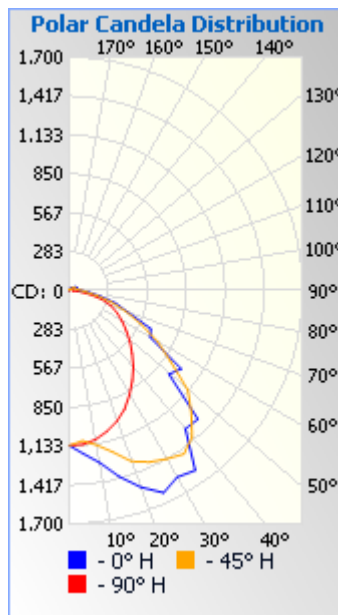
Linda Transparent LED 1x30W-LED

Luminaire	IES File Name
1x12W	Linda_LED_1x12W_L660-5001929
1x24W	Linda_LED_1x24W_L1270-5001929
1x30W	Linda_LED_1x30W_L1570-5001929

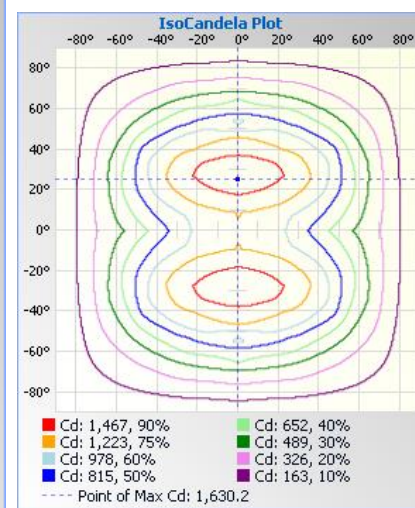
Lumens Per Zone

3F Linda LED Transparent 1x30W L1570 - 5001929

Zone	Lumens	% Total	Zone	Lumens	% Total
00-10	109.1	2.30%	090-100	66.8	1.40%
10-20	348.5	7.30%	100-110	49.9	1.00%
20-30	610.2	12.80%	110-120	42.1	0.90%
30-40	812.5	17.00%	120-130	29.0	0.60%
40-50	861.5	18.00%	130-140	17.7	0.40%
50-60	761.9	15.90%	140-150	10.1	0.20%
60-70	570.0	11.90%	150-160	5.7	0.10%
70-80	338.1	7.10%	160-170	2.2	0.00%
80-90	148.0	3.10%	170-180	0.0	0.00%



3F Linda Transparent LED 1x30W L1570 - 5001929



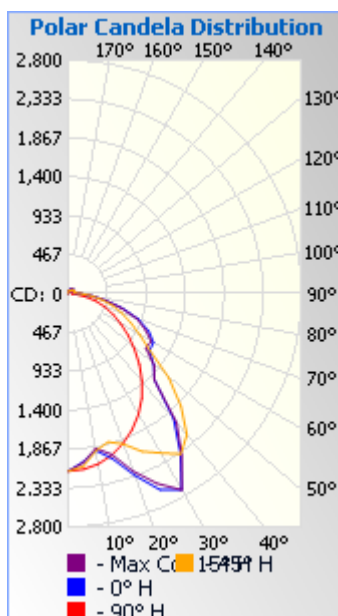
Linda Transparent LED 2x24W-LED

Luminaire	IES File Name
2x24W	Linda_LED_2x24W_L1270-5001930
2x30W	Linda_LED_2x30W_L1570-5001930

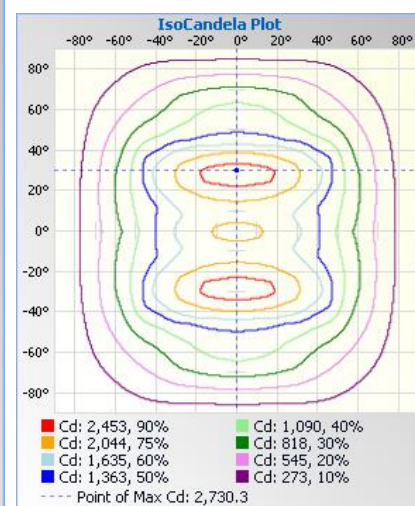
Lumens Per Zone

3F Linda LED Transparent 2x24W L1270 - 5001930

Zone	Lumens	% Total	Zone	Lumens	% Total
00-10	194.1	2.60%	090-100	97.8	1.30%
10-20	558.4	7.50%	100-110	72.6	1.00%
20-30	977.7	13.10%	110-120	75.0	1.00%
30-40	1290.2	17.30%	120-130	67.1	0.90%
40-50	1246.6	16.70%	130-140	49.8	0.70%
50-60	1067.8	14.30%	140-150	33.0	0.40%
60-70	870.2	11.60%	150-160	20.6	0.30%
70-80	579.0	7.70%	160-170	8.9	0.10%
80-90	264.5	3.50%	170-180	0.0	0.00%



3F Linda Transparent LED 2x24W L1270 - 5001930



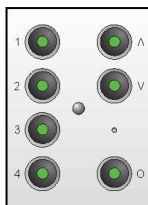
3F Linda Transparent LED



- SLS-LTR-1X?? Transparent body Linda 4" wide 1 lamp cross section
- SLS-LTR-2X?? Transparent body Linda 6" wide 2 lamp cross section



LED Watts	Total Watts	Constant Current	Voltage (V dc)	LED Lumens	Luminaire Length	Width	LEDs
1x12W	16	700mA	18	1909	26"	4"	1
1x24W	30	700mA	36	3823	50"	4"	1
2x24W	58	1400mA	36	7473	50"	6"	2
1x30W	37	700mA	45	4783	62"	4"	1
2x30W	70	1400mA	45	9351	62"	6"	2

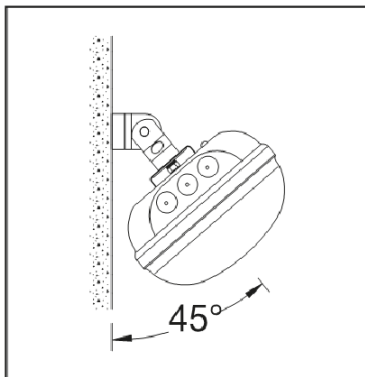


	Driver Control Interface	Input Voltage
-	Standard Switched	120/277V
StepDim	0% - 50% - 100% with two hots	120/277V
0/10V	Philips Xitanium Mark 7 0-10V Dimming	120/277V
Powerline 277V	Philips Xitanium Mark 10 Powerline Dimming	277V
Powerline 120V	Philips Xitanium Mark 10 Powerline Dimming	120V
DALI	DALI Dimming (consult manufacturer for availability)	120/277V



- EBP Bodine, Iota Engineering or PowerSentry Others available on request
- ACxx Aircraft Cable with quick adjustment. xx=Length Feet
- xxK Lamps installed xx=Kelvin e.g 40K = 4000K
- xSOy SO Cord x= length feet
y= **White, Black**

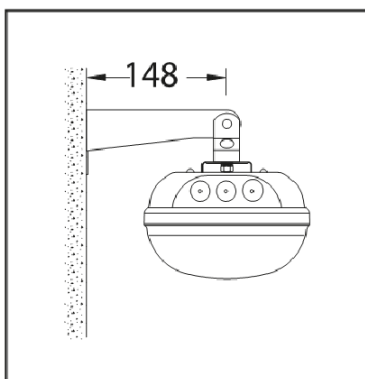
3F Linda Transparent LED



15 GZI Wall Mounting Angle Brackets

Pair of brackets and hooks in stainless steel, with screws and bolts for fixing to the Linda, for wall or ceiling mounting, single- and twin-lamp luminaires.

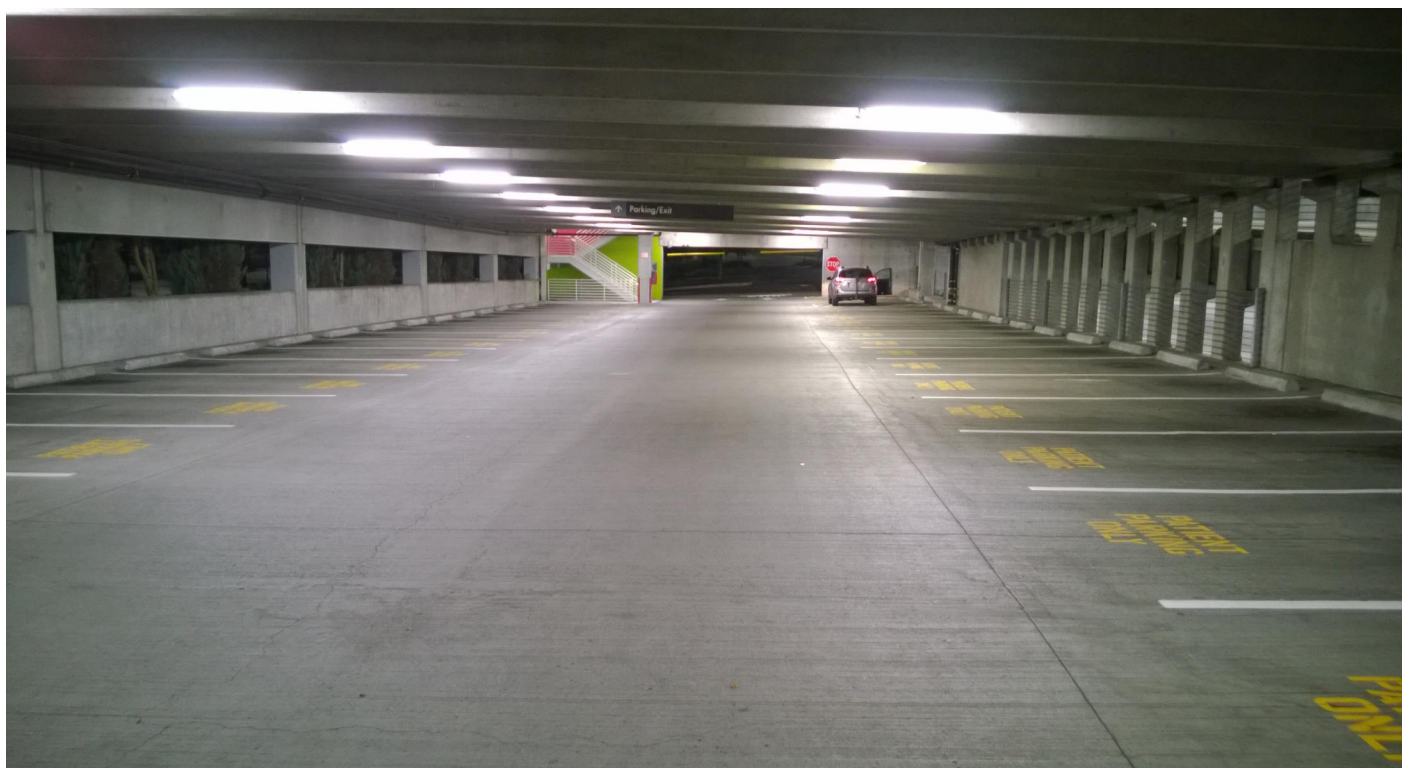
Minimum angle of inclination = 45°



15 MBI Wall Mounting Perpendicular Brackets

Pair of brackets and hooks in stainless steel, with screws and bolts for fixing to the Linda, for wall mounting, single- and twin-lamp luminaires.

Extension from wall 148mm or 5 13/16th inches.





PROJECT:	
MODEL NO:	
DESCRIPTION:	
TYPE:	
QUANTITY:	
DATE:	
NOTES:	



ORDERING INFORMATION

SLS - - **X** - **LED** - - - - -

<p>BODY</p> <p>LTR TRANSPARENT</p> <p>LIN INDUSTRIAL GRAY</p>	<p>WATTAGE **</p> <p>12W</p> <p>24W</p> <p>30W</p>	<p>SUSPENSION</p> <p>CABLE</p> <p>AIRCRAFT (AC)</p> <p>JACKCHAIN (JC)</p> <p>X=LENGTH IN FEET</p>	<p>LED</p> <p>xxK</p> <p>XX=KELVIN</p>	<p>EMB</p> <p>EMB-5W</p> <p>EMB-10W</p> <p>EMB-12W</p>
<p>LAMPS</p> <p>1</p> <p>2</p>	<p>GEARTRAY</p> <p>* STANDARD</p> <p>FWGT FULL WIDTH GEAR TRAY</p>	<p>SO CORD</p> <p>xSOY</p> <p>X=LENGTH IN FEET</p> <p>Y = COLOR</p> <p>W WHITE</p> <p>B BLACK</p>	<p>DRIVER</p> <p>CONTROL</p> <p>0/10V (MARK 7)</p> <p>STEPDIM</p> <p>POWERLINE MARK 10 (120V)</p> <p>POWERLINE MARK 10 (277V)</p> <p>DALI ADDRESSABLE</p>	<p>OCCUPANCY</p> <p>SENSOR</p> <p>OS-MW</p> <p>OS-PIR</p> <p>OS-S1</p>

**Linda Transparent (LTR) Not available in 2x12W

* MARK 10 DRIVER ONLY AVAILABLE ON 2X24W MODEL

** 3500K ON 12W & 24W MODEL

* PHILIPS XITANIUM 0/10V STANDARD DRIVER

PROJECT: _____ DATE: _____ QUANTITY: _____

TYPE: _____ NOTE: _____

